

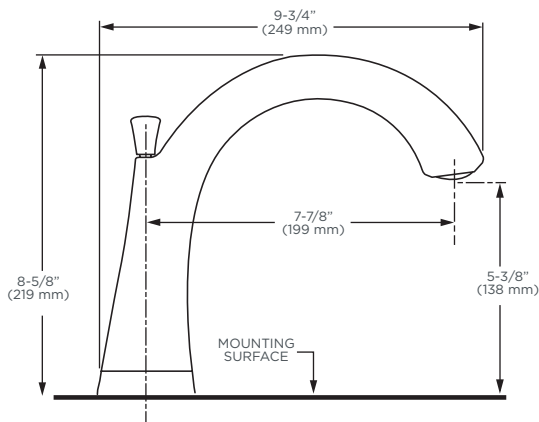
MODEL NUMBER:

- ☐ **7186 801 Fluent Widespread**
Metal Speed Connect® Pop-up drain.
Metal Lever Handles.



7186 801 Shown

*WaterSense® approval pending



GENERAL DESCRIPTION:

Cast brass valve bodies with flexible hose connections for 6" to 12" (152 mm to 305 mm) installations. 1/4 turn washerless ceramic disc valve cartridges. Cast brass spout. Cast brass inlet shanks and 24" (610 mm) stainless steel braided flexible supply hoses with 3/8" (10 mm) compression connectors. 20 inch (500 mm) long flexible stainless steel drain cable is pre-assembled to spout. Metal Speed Connect® drain body with 1-1/4 inch (32 mm) tail piece. 1.25 gpm/5.7L/min. maximum flow rate.

PRODUCT FEATURES:

- Ceramic Disc Valve Cartridge:** Assures a lifetime of smooth handle operation and dripfree performance.
- Ceramic Disc Valve Cartridges:** Assures a lifetime of drip-free performance.
- Lead Free:** Faucet contains ≤ 0.25% total lead content by weighted average.
- Exclusive Speed Connect Metal Drain:**
 - Fewer parts. Installs in less time.
 - No adjustments required seals the first time, every time.
 - Flexible stainless steel cable installs effortlessly in tight spaces.
- Choice of Finishes:** Available in Polished Chrome or Satin Nickel (PVD).

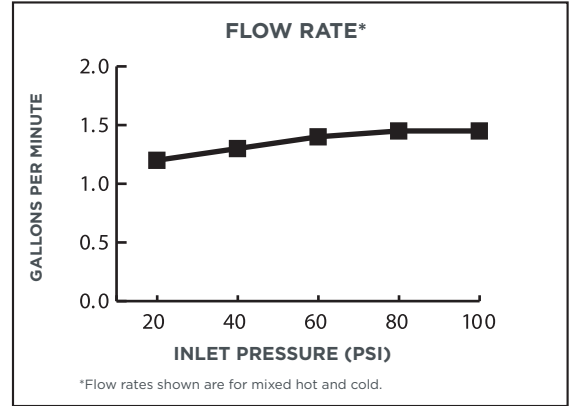
SUGGESTED SPECIFICATION:


Two handle widespread lavatory faucet shall feature cast brass valve bodies with flexible hose connections for 6" to 12" (152 mm to 305 mm) installations. Shall also feature 1/4 turn washerless ceramic disc valve cartridges. Shall also feature a metal drain body with stainless steel cable actuation. Fitting shall be American Standard Model #7186 8__.


CODES AND STANDARDS

These products meet or exceed the following codes and standards:

- ANSI A117.1
- ASME A112.18.1
- CSA B 125
- NSF 61/Section 9 and Annex G



Product Number	Description	Finish Options		
		Polished Chrome	Oil Rubbed Bronze	Satin Nickel (PVD)
		002	224	295
7186 801	Fluent™ Widespread with Metal Speed Connect® pop-up drain. Metal lever handles.			

 Meets the American Disabilities Act Guidelines and ANSI A117.1 Requirements for the physically challenged.

NOTES:
 BATH CAN BE INSTALLED EITHER ABOVE OR BELOW FLOOR LINE AS PIER, ISLAND, OR PENINSULA TYPE INSTALLATION. SUMP OF BATH IS SUPPORTED BY INTEGRAL FEET. NO ADDITIONAL SUPPORT REQUIRED. ENCLOSING MATERIAL BY OTHERS.
 REFER TO INSTALLATION INSTRUCTIONS SUPPLIED FOR ADDITIONAL INFORMATION.
 FITTINGS NOT INCLUDED AND MUST BE ORDERED SEPARATELY.
 PROVIDE SUITABLE REINFORCEMENT FOR ALL SUPPORTS.
 IF INSTALLING A DECK-MOUNTED FITTING, BEFORE DRILLING ANY HOLES: CHECK FOR INTERFERENCE WITH CIRCULATING SYSTEM PIPING, DRAIN OVERFLOW, AND APRON INSTALLATION. MOUNTING HOLES DRILLED BY INSTALLER.

IMPORTANT: Dimensions of fixtures are nominal and may vary within the range of tolerances established by ANSI Standard Z124.1. These measurements are subject to change or cancellation. No responsibility is assumed for use of superseded or voided pages.